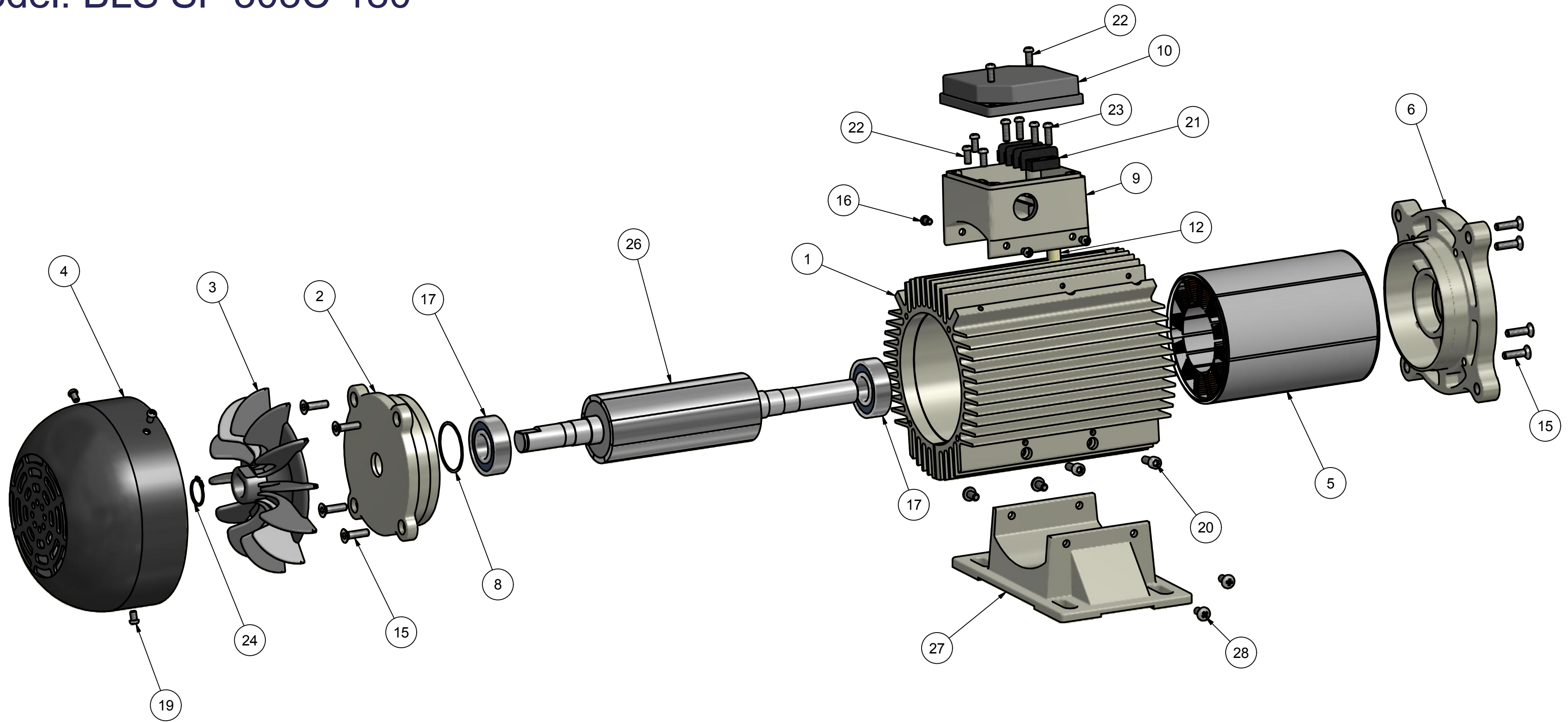


Model: BLS SF 303C-180



Parts List			
ITEM	QTY	PART NUMBER	DESCRIPTION
1	1	38918	Motor Heat Sink Housing, 6"
2	1	38904	Fan End Bell
3	1	38912	Fan, 5"
4	1	38914	Fan Shroud
5	1	38934 or 39300	Stator, 4.5", 180 VDC
6	1	38900	Drive End Bell, 56C
8	1	39760	Wave Washer, 40 MM
9	1	38906	Junction Box
10	1	35908	Junction Box Lid
12	1	37760	Silicon Insulator Tube
15	8	20700	10-32 X 1 Flat SHCS, SS
16	4	21575	Screw, 8-32 X 1/4 PHP, SS
17	2	11050	Bearing Sealed, 6203
19	3	21625	Screw, 8-32 X 5/16 PHP SS
20	2	21550	Bolt 10-32 X 1/2 SHCS, SS
21	1	16130	Terminal Block, Double Row, 3 Circuit
22	5	21600	Screw, 8-32 X 5-16
23	4	21610	Screw, 8-32 X 1/2 PHP, SS
24	1	38945	Snap Ring, .625 SS
26	1	38940	Rotor Assembly, 4.5" 56C
27	1	38910	Motor Base
28	4	20680	Screw, 10-32 X 3/8 PHP SS

Note: All new motors use the 39300 stator with bolt tubes.

DRAWN James C. Allen	1/3/2012	SunPumps, Inc.	
CHECKED		TITLE	
QA		Motor, Brushless DC 56C	
MFG		3 HP 180 Volts	
APPROVED		SIZE	DWG NO
		C	26585
		SCALE	SHEET 1 OF 1