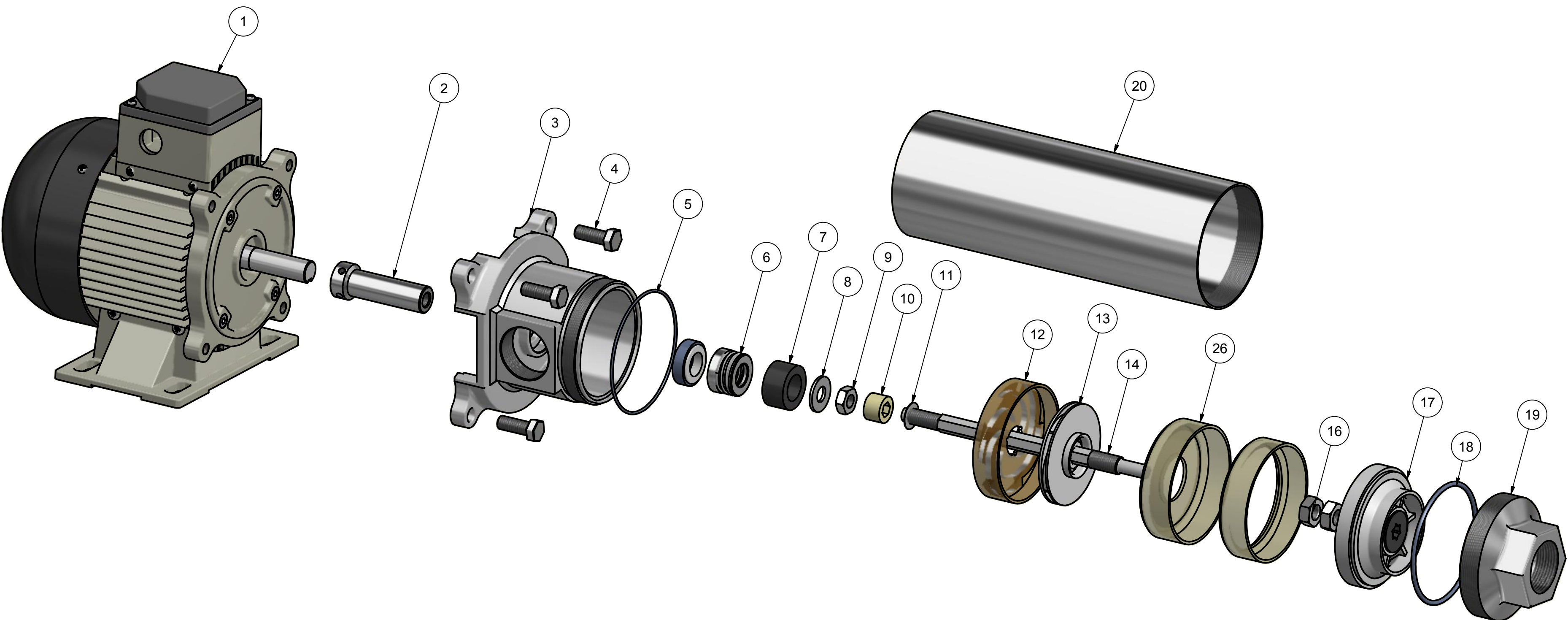


# SunPumps 180V Brushless DC SCB Pumps 25 GPM Impeller



| Parts List |       |             |                                 |
|------------|-------|-------------|---------------------------------|
| ITEM       | QTY   | PART NUMBER | DESCRIPTION                     |
| 1          | 1     | 26585       | 180V 3 HP Brushless DC Motor    |
| 2          | 1     | 41826       | Motor Shaft Extension           |
| 3          | 1     | 41800       | Motor Adapter, SCB              |
| 4          | 4     | 19650       | Bolt, 3/8-16 X 1 SS             |
| 5          | 1     | 38820       | O-Ring, 042                     |
| 6          | 1     | 28520       | Seal Assembly, Viton            |
| 7          | 1     | 41824       | Seal Spacer, 3-4 X .655         |
| 8          | 1     | 22175       | Washer, 7/16 SS                 |
| 9          | 1     | 20000       | Nut, 7-16 X 1-4, SS             |
| 10         | 1     | 41822       | Spacer, Impeller 7/16 X 1/2     |
| 11         | 1     | 41820       | Shim, 7/16 Hex X .015           |
| 12         | 1     | 41865       | Diffuser, 18-25 GPM             |
| 13         | Chart | 41862       | Impeller, 25 GPM New            |
| 14         | 1     | See Chart   | Pump Shaft                      |
| 16         | 2     | 20085       | Nut, 1/2 - 20, SS               |
| 17         | 1     | 41828       | SCB Bearing Assembly, 5-10      |
| 18         | 1     | 38850       | O-Ring, 236                     |
| 19         | 1     | 41805       | Suction End Bell, SCB           |
| 20         | 1     | See Chart   | Housing, SS                     |
| 26         | 1     | 41840       | Diffuser Cage, 7-10 .875        |
| 27         | 1     | 41841       | Diffuser Cage 7-10 GPM Modified |

| Variable Parts List |        |           |         |          |
|---------------------|--------|-----------|---------|----------|
| Model Number        | Stages | Shaft No. | Housing | Pump No. |
| SCB 22-160-180 BL   | 8      | 41908     | 41968   | 51390    |
| SCB 22-185-180 BL   | 9      | 41909     | 41969   | 51391    |
| SCB 22-185-180 BL   | 10     | 41910     | 41970   | 51392    |
| SCB 22-200-180 BL   | 11     | 41911     | 41971   | 51393    |
| SCB 22-210-180 BL   | 12     | 41912     | 41972   | 51394    |
| SCB 22-225-180 BL   | 13     | 41913     | 41973   | 51395    |
| SCB 22-240-180 BL   | 14     | 41914     | 41974   | 51396    |
| SCB 22-250-180 BL   | 15     | 41915     | 41975   | 51397    |
|                     |        |           |         |          |
|                     |        |           |         |          |
|                     |        |           |         |          |
|                     |        |           |         |          |
|                     |        |           |         |          |
|                     |        |           |         |          |
|                     |        |           |         |          |
|                     |        |           |         |          |

|                                          |           |                                                          |                   |
|------------------------------------------|-----------|----------------------------------------------------------|-------------------|
| DRAWN<br><b>James C.Allen</b><br>CHECKED | 9/11/2012 | <h2>SunPumps, Inc.</h2>                                  |                   |
| QA                                       |           | TITLE                                                    |                   |
| MFG                                      |           | <h3>180V Brushless DC SCB<br/>Pumps 25 GPM Impeller</h3> |                   |
| APPROVED                                 |           | SIZE                                                     | DWG NO            |
|                                          |           | C                                                        | EV-SCB-25GPM-180V |
|                                          |           | SCALE                                                    | SHEET 1 OF 1      |